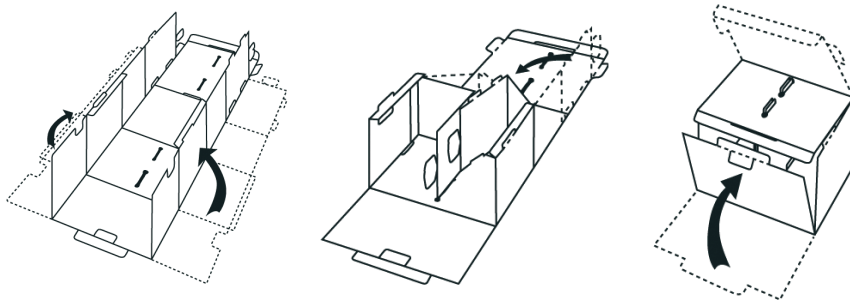
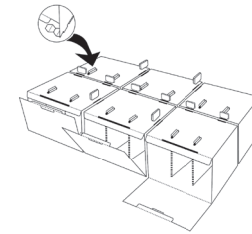
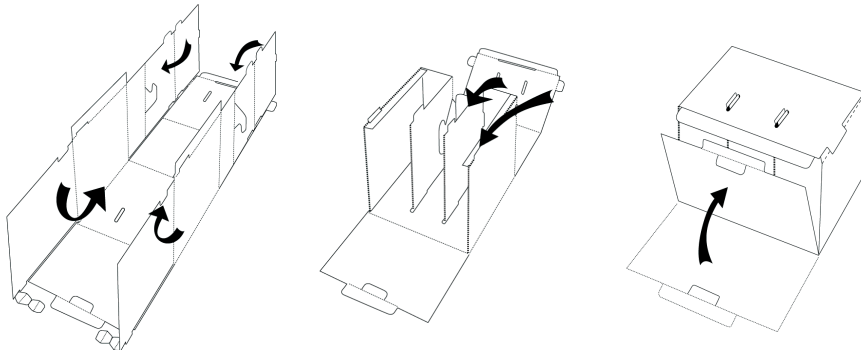


- Direct container 4000
- Standard container 4001
- Data container 4002



- Jumbo container 4004
- Jumbo Plus container 4005



Connecting pieces for containers

The connecting pieces which are shown in this illustration are the most important components for the construction of containers. They are connected to the side flaps of the container and are used for joining containers that are positioned side by side or back to back.



Fold the connecting pieces in half on the perforated line and attach one piece per cut-away in the side and back of the containers. Note: the Jumbo container has **TWO** cut-aways on the back side!



We recommend a maximum stacking height of 1.90 meters (approx. 7 containers) when placed against the wall. If space allows, you can stack up to 2.80 meters (approx. 10 containers) when linked up back-to-back. Please observe the applicable health and safety guidelines.



Connecting supports for containers

Connecting supports are attached by sliding them over the side panels of 2 containers, this will ensure that the containers form one solid construction. Fill the containers starting from the bottom and work your way up. Extra connecting supports can be ordered.



Archive stabilizer for containers

In order to create a stable construction it is recommendable to join the containers back to back. If this kind of connection is impossible due to lack of space at the archive location and a single wall placement is the most obvious solution, we recommend the use of archive stabilizers (panels that are placed underneath). This type of construction allows the containers to be placed tightly against the wall. Since the polystyrene panels are slanted – the height at the front side is 4 cm/ 1.57 inch and at the back side 2 cm/ 0.79 inch they will prevent the containers on top from tilting forwards.

